

Minnesota Pro Design
3531 Lyndale Ave. S
Minneapolis, MN 55408

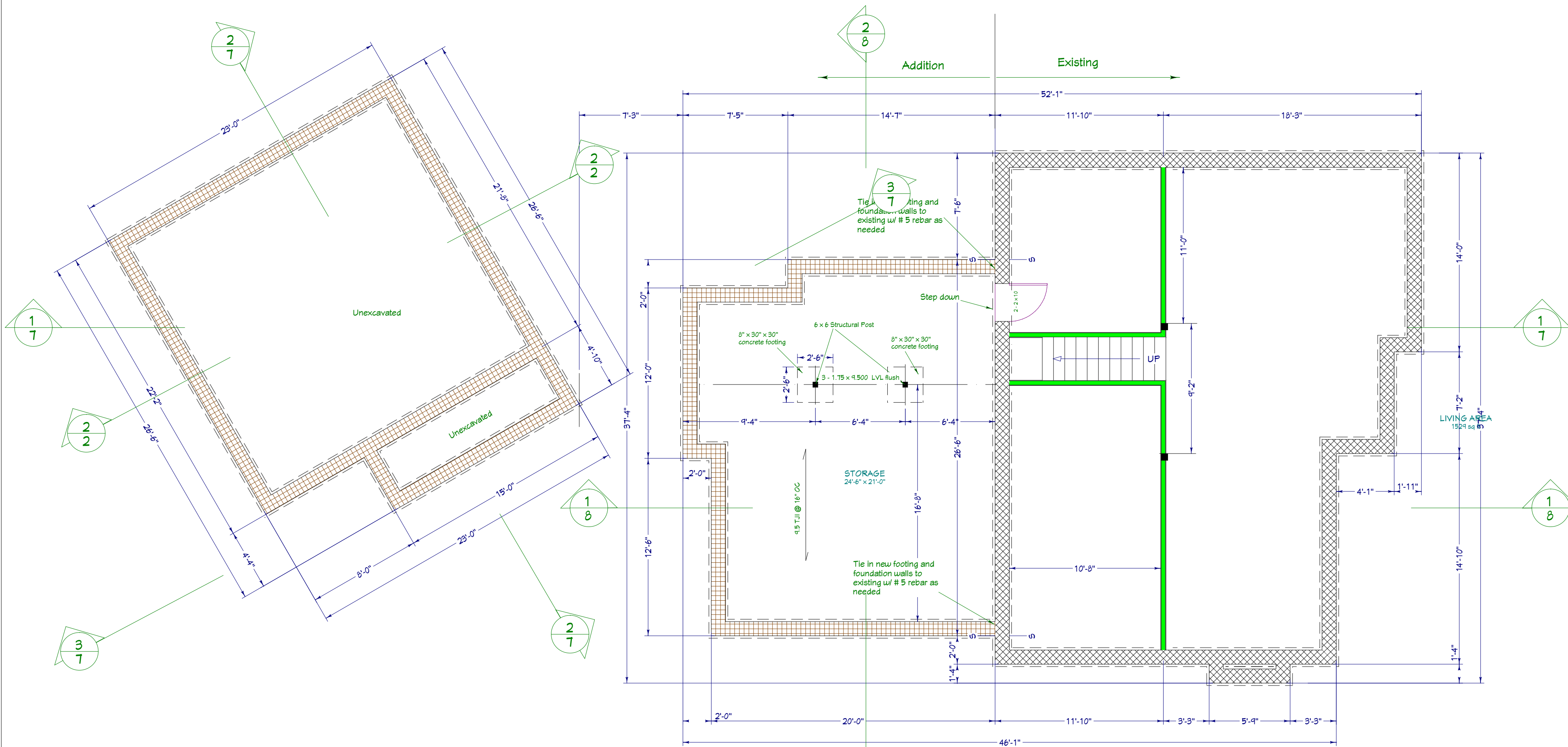
Office: 612.353.9620
Mobile: 612.237.9238
www.MNProDesign.com

Design for the
Gunderson Residence

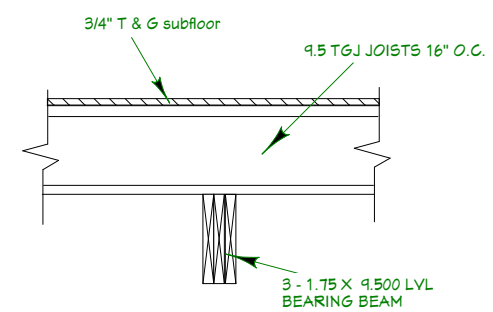
3820 Joppa Ave. S.
St Louis Park, MN 55416

Basement floor plan

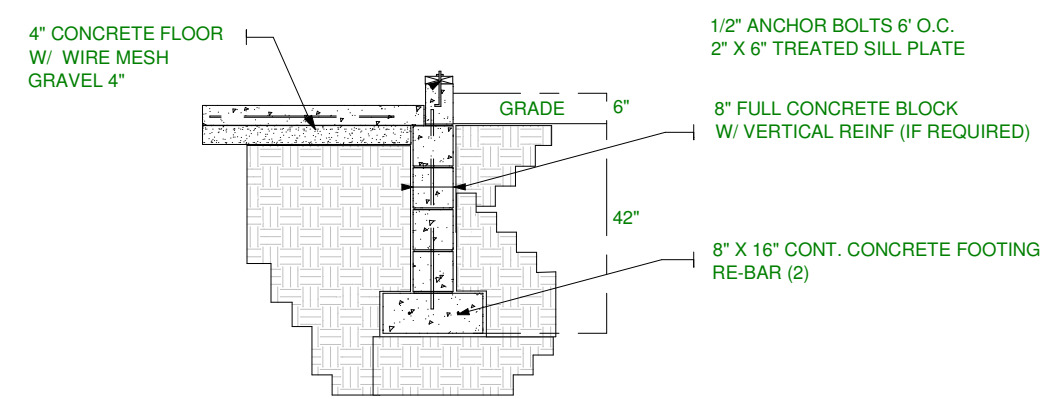
General Contractor:



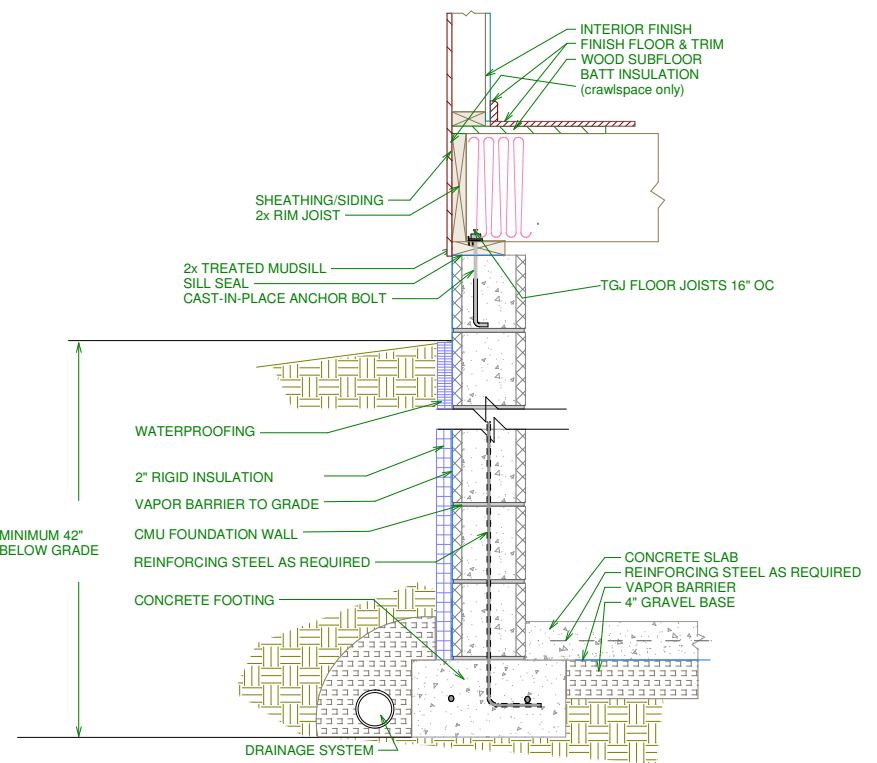
Basement floor plan
scale 3/16" = 1'0" 1
4



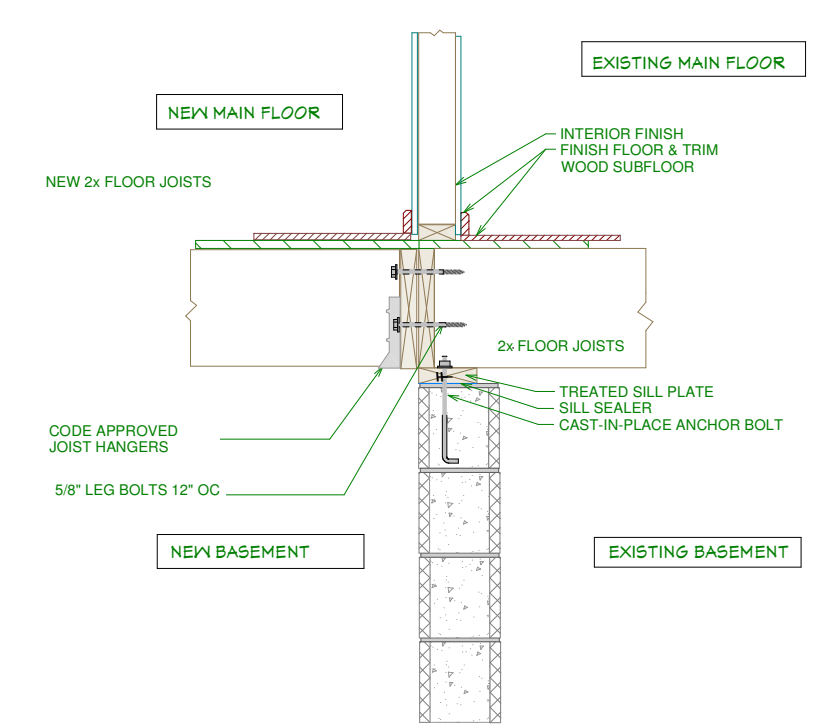
Bearing beam



GARAGE FOUNDATION
4" REINFORCED SLAB FULL CONC. BLK. 8" X 8"



CMU Basement Foundation: Unfinished



Addition Floor Anchored to Wood Wall

EVERY EFFORT HAS BEEN MADE TO INSURE THESE PLANS ARE ACCURATE AND COMPLETE, HOWEVER THE CONTRACTOR-BUILDER MUST VERIFY ALL DIMENSIONS, CONSTRUCTION METHODS AND SPECIFICATIONS, AND IS RESPONSIBLE FOR SAME. SIZES OF ALL STRUCTURAL MEMBERS LIKE, FOOTINGS, POSTS, BEAMS, JOISTS, RAFTERS, TRUSSES, ETC ARE FOR ESTIMATING PURPOSES ONLY.

Project No: 509.09
Issue Date: 04.29.2009
Revised: 10.01.2009
Revised:
Revised:

SHEET